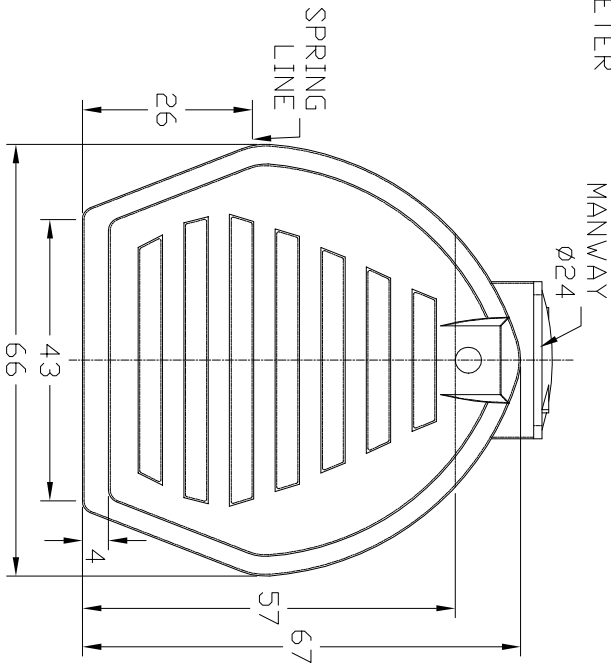
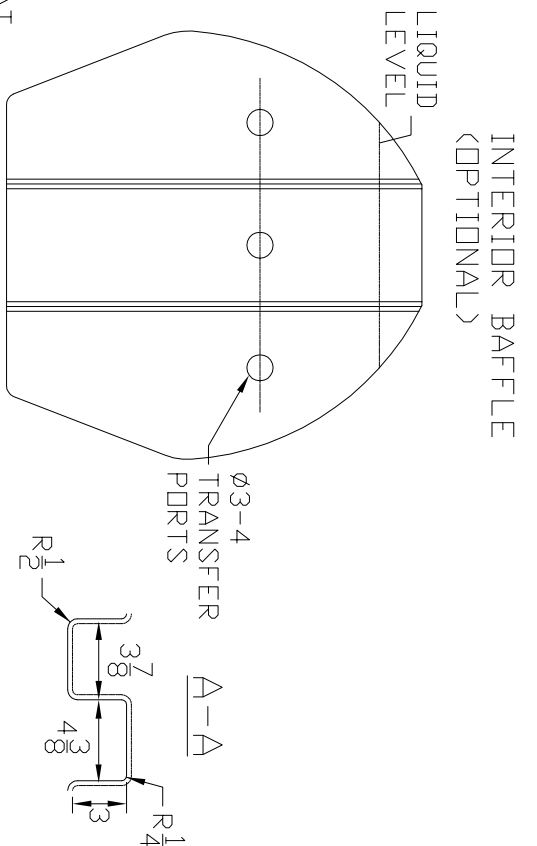
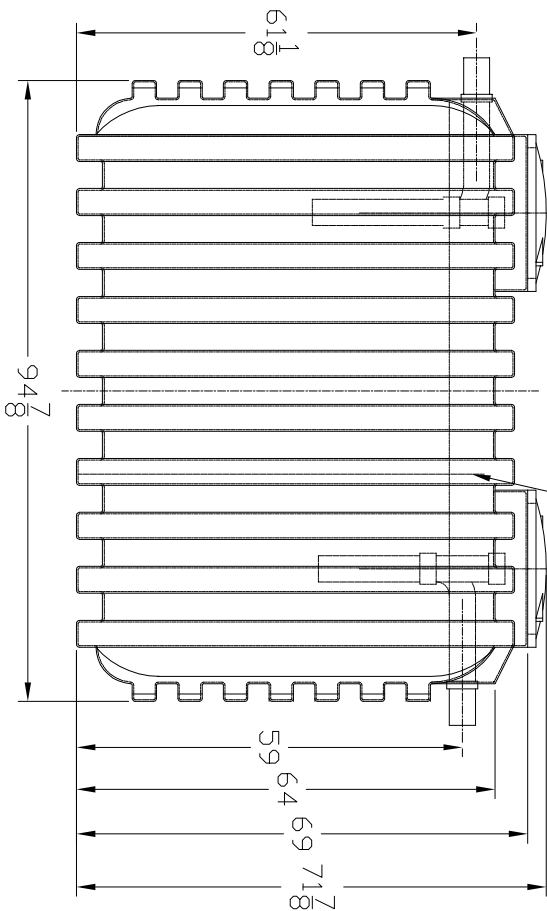


BAFFLE (OPTIONAL)  
TO BE HEAT WELDED TO TANK AT  
4 PLACES AROUND PERIMETER



THIS DRAWING & DESIGN IS  
THE PROPERTY OF CHEM-TAINER INDUSTRIES INC.  
IT MAY NOT BE USED FOR ANY PURPOSE  
OTHER THAN BY THE OWNER. CHEM-TAINER DOES NOT  
AUTHORIZE THE REPRODUCTION OR CONVEYANCE  
OF ANY INFORMATION CONTAINED HEREIN.

ALL DIMENSIONS SHOWN ARE OUTSIDE PART DIMENSIONS IN INCHES, AND  
VARY BY THE STANDARD ROTATIONAL MOLDING TOLERANCE OF +2/-3%.

Rev. 0 Date 02/14/01 File Name ST1000-H

**CHEM-TAINER**

361 Neptune Ave.  
W.Babylon, NY 11704  
(631) 661-8300 Fax: (631) 661-8209

Industries Inc.  
Date 02/14/01 Mold Location H  
Drawn By: IIA Cust. Rep.

TITLE  
1000 GAL. BELOW GROUND SEPTIC TANK

Part # TC1000ST Dwg. # C-1000-1H